



T3Frame has a variety of monitor and digital monitor mounting solutions available. These solutions enable users to incorporate almost any size of screen flawlessly. Monitors can be orientated in

a variety of manners including internally or recessed.

MSH (CODE)
 MONITOR SUPPORT HOOKS



MONITOR SUPPORT HOOKS

The monitor support hook allows for large tv monitor and digital displays to be simply mounted onto the framework.

The hooks are securely fixed onto the monitors and then the full solution is then 'hooked' into place on the framework. Fixing hooks are then screwed into place into the channels of the profiles.

This solution allows for users to quickly adjust or relocate the monitors to create the most efficient viewing positioning for the event.



MSB (CODE)
 MONITOR SUPPORT BRACKETS

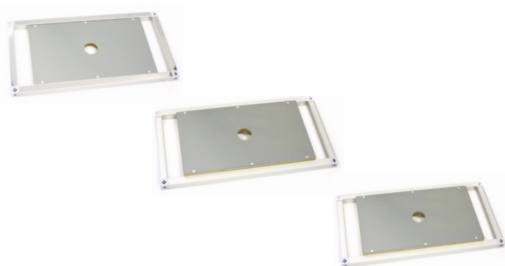


MONITOR SUPPORT BRACKET

The bracket is securely fixed onto the back of a digital monitor or screen.

The bracket with monitor attached is then 'hooked' into place on the framework. The solution allows for users to quickly adjust or relocate the monitor for the optimal viewing position for the event.

AFSM / CHSM / FNSM (CODE)
 SCREEN MOUNT



SCREEN MOUNT

There are various screen mount types available that can match your structures tubing extrusions.

This mount is built into your display structure and provides the most secure and strongest solution. The central hole allows for the wiring and cables to be stored inside the structure and be hidden from viewers.

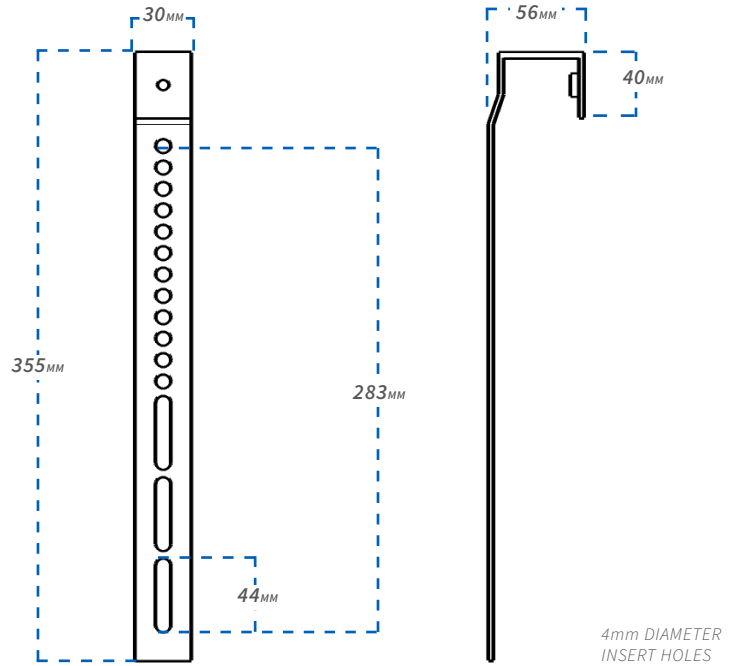


MSH (CODE)

MONITOR SUPPORT HOOKS



4MM STEEL POWDER COATED GREY

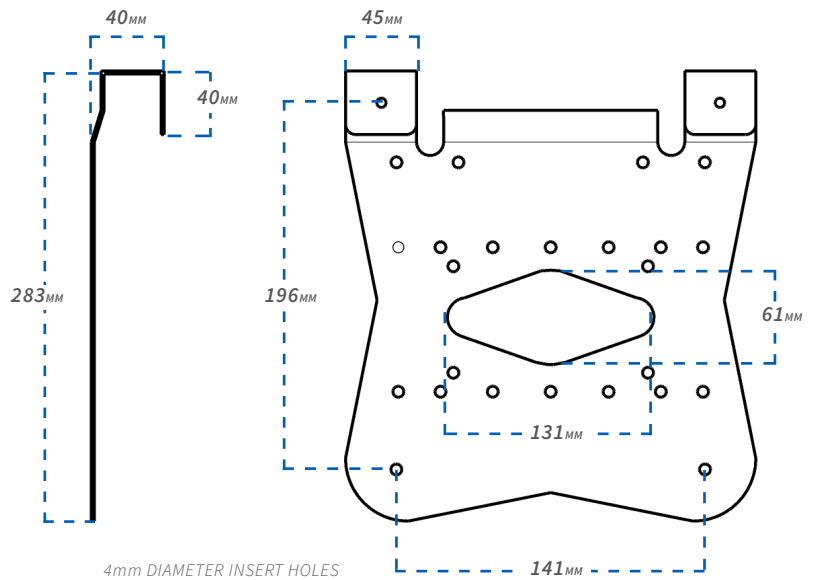


MSB (CODE)

MONITOR SUPPORT BRACKETS

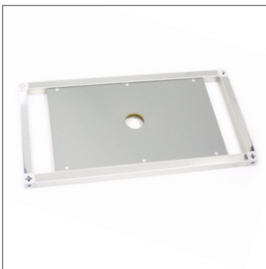


4MM STEEL POWDER COATED GREY

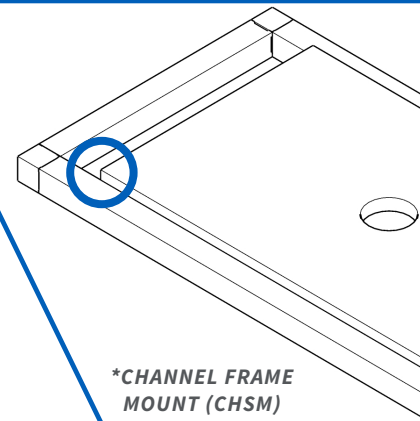
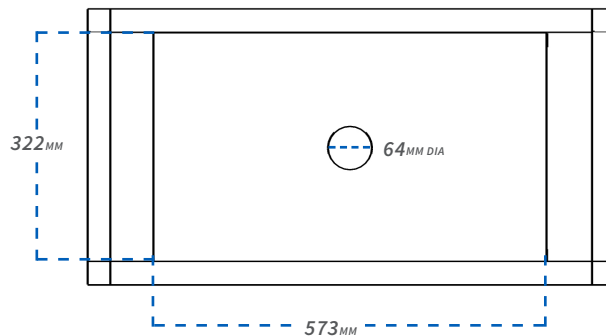


AFSM / CHSM / FNSM (CODE)

SCREEN MOUNT



18MM PLYWOOD CENTRE
(RIVETED TO TUBE)
AVAILABLE IN X3 TUBE TYPES:
- FUSION
- AIRFRAME
- CHANNEL (OFFSET 14MM FOR FABRIC)



***CHANNEL FRAME MOUNT (CHSM)**
OFFSET BY 14MM TO ALLOW FOR SILVERLITE / COMB / 45°