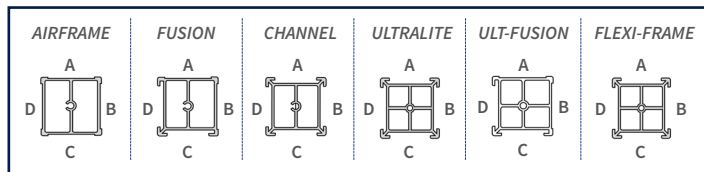


T3 Frame has a variety of framework extrusions that make up the core of our most innovative and versatile modular display framework. Each extrusion has been developed to fill a particular display design need. This data sheet will give you a brief explanation of each extrusion, what a reference code means and a code index of orientations. Below is an illustration of what a typical drawing label would look like. Below the box is a key illustrating the cross-section of all the extrusions in our range.

## BEAM CROSS SECTIONS



## EXAMPLE LABELING ANNOTATION

**CH01**

Price list  
Reference

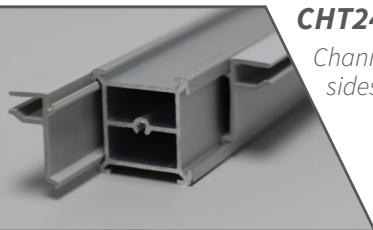
**CHT0245**

Extrusion Code & Centre / Centre  
Size in mm

~ ~ ~ ~

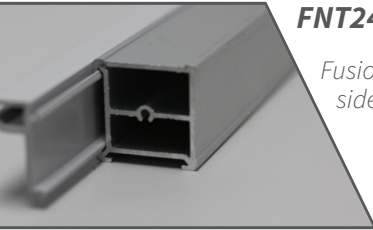
A B C D  
Extrusion Side

## EXAMPLE CONFIGURATIONS



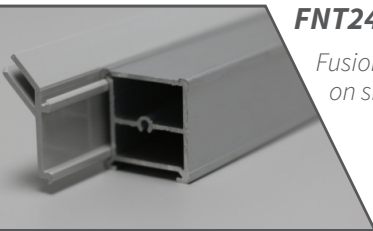
### CHT245~FS~FS

Channel tube with fabric silverlite on sides B & D.



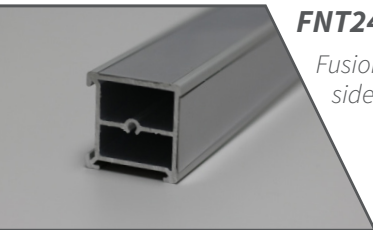
### FNT245~~~FS

Fusion tube with fabric silverlite on side D



### FNT245~~~45

Fusion tube with fabric silverlite 45° on side D



### FNT245 SS~~

Fusion tube with Steel tape on sides A & B.

When viewing a drawing of a T3 Frame structure there will be a reference code for each extrusion. The code will make reference to profiles, steel or Velcro tape placed onto the extrusion.

### AIRFRAME

(Product Code: AFT)

The original seamless extrusion. Designed to carry all types of roll up or rigid panel graphics using magnetic or Velcro tape.

### CHANNEL

(Product Code: CHT)

Created to capitalise on the market for fabric graphics with silicon edging. The channel on all sides allows for multiple profiles to be utilised.

### FUSION

(Product Code: FNT)

Combines the best of both the Airframe and Channel extrusions. This is our most versatile and popular extrusion as it can be used for any graphic type.

### ULTRALITE CHANNEL

(Product Code: UCT)

A plastic version of the channel extrusion. Used predominantly to create lightweight structures suitable for most graphic applications

### ULTRALITE FUSION

(Product Code: UFT)

A plastic version of the fusion extrusion. Used predominantly to create lightweight plinths and counters with both rigid and fabric graphics.

### FLEXI-FRAME

(Product Code: UFXC)

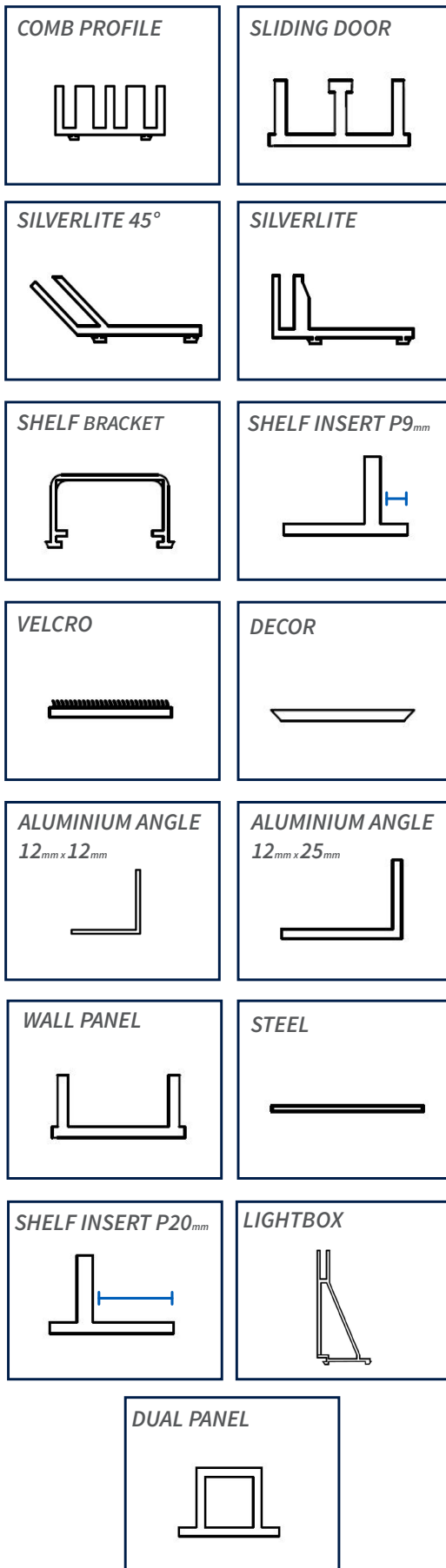
A flexible extrusion used to create display walls that can be manipulated into multiple shapes and orientations. Uses magnetic roll up graphics only.



## PROFILE INFORMATION

When viewing a drawing of a T3 Frame structure there will be a reference code for each profile. The code will make reference to what profile will be attached to the extrusion.

To the left is a series of cross sections for the various profiles available when using the T3 Frame product range.. Below is a full list of all the reference codes for profiles, Velcro and magnetic tape that can be fitted onto T3 Frame extrusions.



EXTRUSION DESCRIPTION	CODE
Comb	C
Decor	D
Decor with Magnetic tape	DM
Decor with Velcro tape	DV
Decor with steel	DS
Dual panel	DP
Extrusion 12mm Blade	E12
Extrusion 20mm Blade	E20
Extrusion 25mm Blade	E25
Extrusion 12mm Blade c/w Velcro	V12
Extrusion 25mm Blade c/w Velcro	V25
Extrusion 12mm Blade c/w Steel	S12
Extrusion 25mm Blade c/w Steel	S25
Flexi comb	FFC
Flexi 45 Deg	F45
Flexi silverlite	FFS
FX Velcro	FV
FX Steel	FST
FX Magnetic Tape	FMT
Flexi panel/shelf	FPS
Lightbox	L
Magnetic Tape	M
Panel/Shelf	PS
Panel/Shelf Velcro	PSV
Shelf bracket	SB
Silverlite	FS
Silverlite 45°	S45
Steel	S
Sliding double door	SDD
Velcro	V
Wall Panel	WP

